

Citybac® Classic 660L

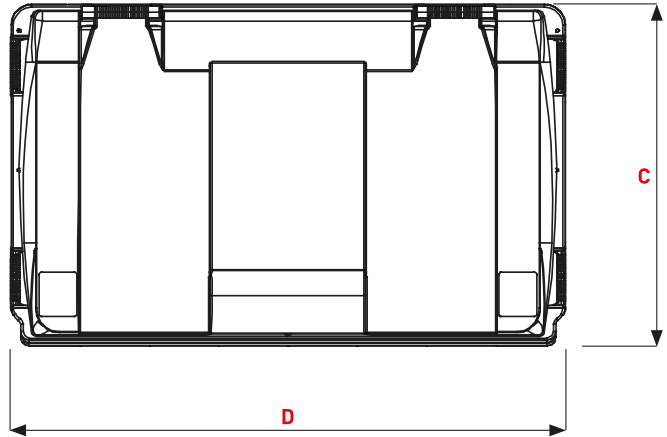
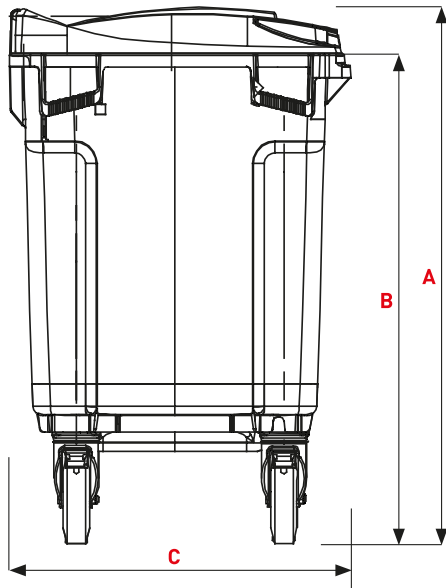
PRODUCT DETAILS



- 1 Flat Lid
- 2 Handle / handle recess
- 3 Handles with handle bar, rear 2x
- 4 Marking areas

- A Body
- B DIN comb lifting system, double stage
- C Stacking ribs
- D SULO sticker / Marking areas
- E Ergonomic handles lateral 4x
- F Chip nest as standard
- G Functional castors 2x
- H Castors 2x





FLAT LID

Dimensions (mm)

A Height total ~	1165
B Upper comb edge ~	1070
C Bin depth ~	775
D Width total ~	1265

Weights

Nominal volume (L)	660
Empty weight (kg) ~	37,3
Max. filling weight (kg) ~	264

Dimensions may vary due to production conditions. The specified empty weights are rounded average based on the standard specifications. The actual weight may be different as a result of production conditions and specifications.

Citybac® Classic 660L

PRODUCT DETAILS

COLOURING

Bin bodies made from 100 % recycled material with a minimum of 60 % post-consumer recycled material.



GREY
RAL 7021
AT

ECO FRIENDLY 



Perfectly set in scene with coloured **lids** for fraction identification



GREY
RAL 7021
AT



GREEN
RAL 6011
VJ



BROWN
RAL 8025
MR



BLUE
RAL 5023
BN



YELLOW
RAL 1018
JA



RED
RAL 3001
RN

ALTERNATIVE COLOURS FOR THE BIN BODY



GREEN
RAL 6011
VJ

ECO FRIENDLY 





BROWN
RAL 8025
MR

ECO FRIENDLY 





BLUE
RAL 5023
BN

ECO FRIENDLY 





YELLOW
RAL 1018
JA

ECO FRIENDLY 

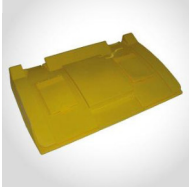


Colours may vary due to production. The colour values given according to RAL are guide colours.

+ OPTIONS

LID-IN-LID

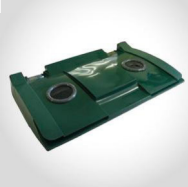
Packaging



Lid-in-lid 2x, small
Lid only available in
Yellow RAL 1018

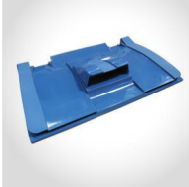
LID SLOT SYSTEMS

Glass



Round slot with
rubber rosette
Ø 150 mm /Lock
required

Paper



Paper Inlet Hood

LIFTING SYSTEMS



Fork lift device



Lifting trunnions

TRANSPORT



Towing system

LID OPENING



Lid opening device,
foot execution

NOISE REDUCTION SYSTEMS



Lid closing damper

CHASSIS



Plastic rim,
Rubber wheel
Ø 200 mm



Plastic rim,
Rubber wheel
Ø 200 mm,
non-marking



Steel rim,
ball bearing,
Rubber wheel
Ø 200 mm



Double stop (DS)



Steering lock

LOCKING SYTSEMS



Triangular Locks
with / without open
position



Padlock Fixtures



Cylinder lock with
automatic function



Cylinder lock without
automatic function

Citybac® Classic 770L

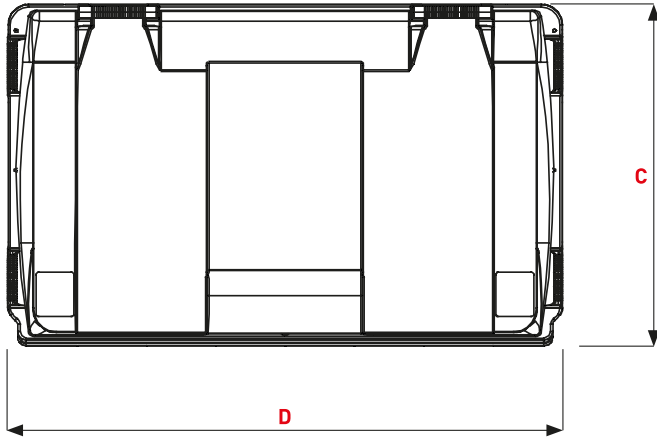
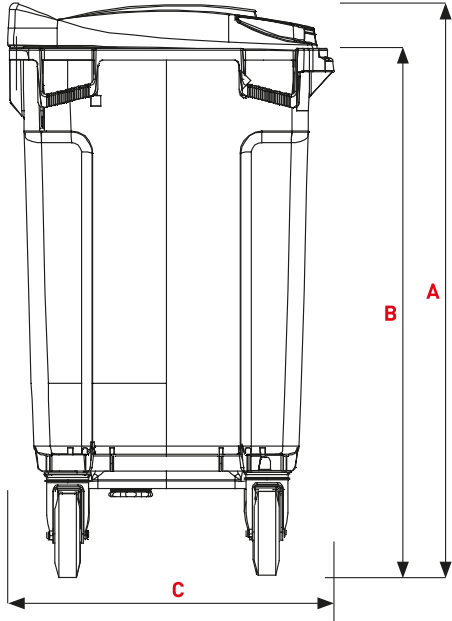
PRODUCT DETAILS



- 1 Flat Lid
- 2 Handle / handle recess
- 3 Handles with handle bar, rear 2x
- 4 Marking areas

- A Body
- B DIN comb lifting system, double stage
- C Stacking ribs
- D SULO sticker / Marking areas
- E Ergonomic handles lateral 4x
- F Chip nest as standard
- G Functional castors 2x
- H Castors 2x





FLAT LID

Dimensions (mm)

A Height total ~	1320
B Upper comb edge ~	1215
C Bin depth ~	775
D Width total ~	1265

Weights

Nominal volume (L)	770
Empty weight (kg) ~	39,6
Max. filling weight (kg) ~	308

Dimensions may vary due to production conditions. The specified empty weights are rounded average based on the standard specifications. The actual weight may be different as a result of production conditions and specifications.

Citybac® Classic 770L

PRODUCT DETAILS

COLOURING

Bin bodies made from 100 % recycled material with a minimum of 60 % post-consumer recycled material.



GREY
RAL 7021
AT

ECO FRIENDLY 



Perfectly set in scene with coloured **lids** for fraction identification



GREY
RAL 7021
AT



GREEN
RAL 6011
VJ



BROWN
RAL 8025
MR



BLUE
RAL 5023
BN



YELLOW
RAL 1018
JA



RED
RAL 3001
RN

ALTERNATIVE COLOURS FOR THE BIN BODY



GREEN
RAL 6011
VJ

ECO FRIENDLY 





BROWN
RAL 8025
MR

ECO FRIENDLY 





BLUE
RAL 5023
BN

ECO FRIENDLY 





YELLOW
RAL 1018
JA

ECO FRIENDLY 

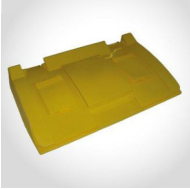


Colours may vary due to production. The colour values given according to RAL are guide colours.

+ OPTIONS

LID-IN-LID

Packaging



Lid-in-lid 2x, small
Lid only available in
Yellow RAL 1018

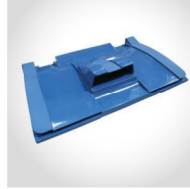
LID SLOT SYSTEMS

Glass



Round slot with
rubber rosette
Ø 150 mm /Lock
required

Paper



Paper Inlet Hood

LIFTING SYSTEMS



Fork lift device



Lifting trunnions

TRANSPORT



Towing system



Lid opening device,
foot execution

NOISE REDUCTION SYSTEMS



Lid closing damper

CHASSIS



Plastic rim,
Rubber wheel
Ø 200 mm



Plastic rim,
Rubber wheel
Ø 200 mm,
non-marking



Steel rim,
ball bearing,
Rubber wheel
Ø 200 mm



Double stop (DS)



Steering lock

LOCKING SYSTEMS



Triangular Locks
with / without open
position



Padlock Fixtures



Cylinder lock with
automatic function



Cylinder lock without
automatic function

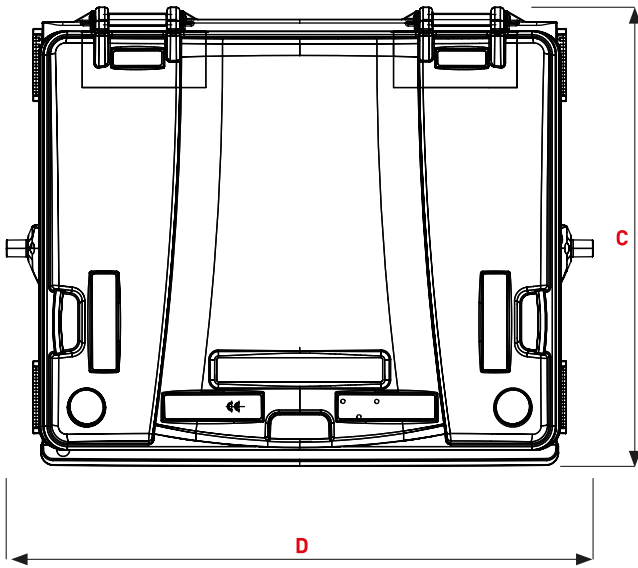
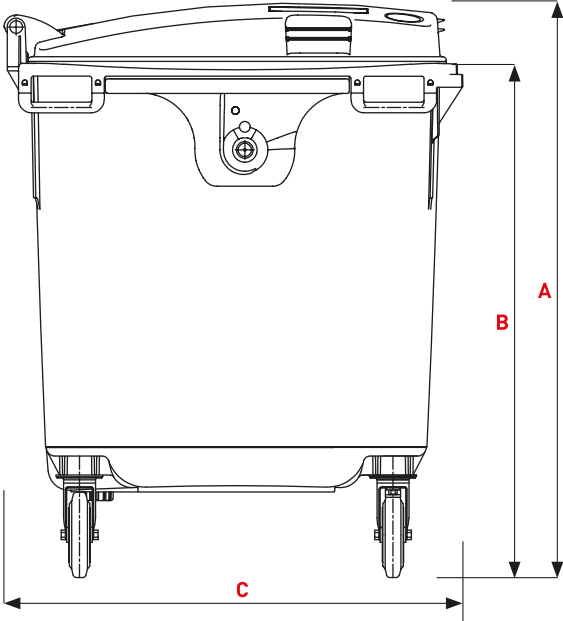
Citybac® Classic 1100L Flat Lid

PRODUCT DETAILS



- | | |
|------------------------------------|---|
| 1 Flat Lid | A Body |
| 2 Handle / recessed grip | B DIN comb lifting system, double stage |
| 3 Lid handles lateral 2x | C Stacking ribs |
| 4 Handles with handle bar, rear 2x | D SULO sticker / Marking areas |
| 5 Marking areas | E Ergonomic handles lateral 4x |
| | F Chip nest as standard |
| | G Lifting trunnion |
| | H Functional castors 2x |
| | I Double stop break 2x |
| | J Castors 2x |





FLAT LID

Dimensions (mm)

A Height total ~	1330
B Upper comb edge ~	1205
C Bin depth ~	1128
D Width total ~	1370

Weights

Nominal volume (L)	1100
Empty weight (kg) ~	50
Max. filling weight (kg) ~	440
Max. total weight (kg) ~	510

FLAT LID - LID-IN-LID

Dimensions (mm)

A Height total ~	1330
B Upper comb edge ~	1205
C Bin depth ~	1075
D Width total ~	1370

Weights

Nominal volume (L)	1100
Empty weight (kg) ~	50
Max. filling weight (kg) ~	440
Max. total weight (kg) ~	510

Dimensions may vary due to production conditions. The specified empty weights are rounded average based on the standard specifications. The actual weight may be different as a result of production conditions and specifications.

Citybac® Classic 1100L Flat Lid

PRODUCT DETAILS

COLOURING

Bin bodies made from 100 % recycled material with a minimum of 60 % post-consumer recycled material.



GREY
RAL 7021
AT

ECO FRIENDLY 


Perfectly set in scene with coloured **lids** for fraction identification



GREY
RAL 7021
AT



GREEN
RAL 6011
VJ



BROWN
RAL 8025
MR



BLUE
RAL 5023
BN



YELLOW
RAL 1018
JA



RED
RAL 3001
RN

ALTERNATIVE COLOURS FOR THE BIN BODY



GREEN
RAL 6011
VJ

ECO FRIENDLY 




BROWN
RAL 8025
MR

ECO FRIENDLY 




BLUE
RAL 5023
BN

ECO FRIENDLY 




YELLOW
RAL 1018
JA

ECO FRIENDLY 


Colours may vary due to production. The colour values given according to RAL are guide colours.

+ OPTIONS

LID-IN-LID

Packaging



front lid available in the colours



Lid-in-Lid

LID SLOT SYSTEMS

Glass

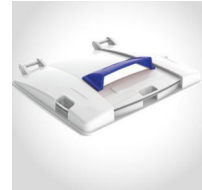


Round slot with rubber rosette
Ø 150 mm

Paper

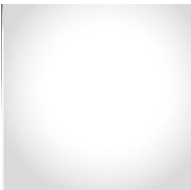


Opening Slot
530 x 95 mm



Paper Inlet Hood
Blue

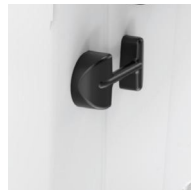
LIFTING SYSTEMS



Fork lift device



Lifting trunnions



Lateral handles 2x

HANDLES

TRANSPORT



Towing system



Lid opening device,
foot execution



Lid Opening Noise
Reduction



Lid closing damper

LID OPENING

NOISE REDUCTION SYSTEMS

CHASSIS



Plastic rim,
Rubber wheel
Ø 200 mm



Plastic rim,
Rubber wheel
Ø 200 mm,
non-marking



Steel rim,
ball bearing,
Rubber wheel
Ø 200 mm



Double stop (DS)



Central locking
device (ZF)



Steering lock

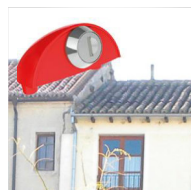
LOCKING SYSTEMS



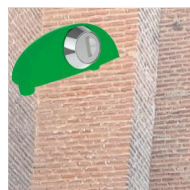
Triangular Locks
with / without open
position



Padlock Fixtures



Cylinder lock with
automatic function



Cylinder lock without
automatic function