

8 7 6 5 4 3 2 1

D

D

C

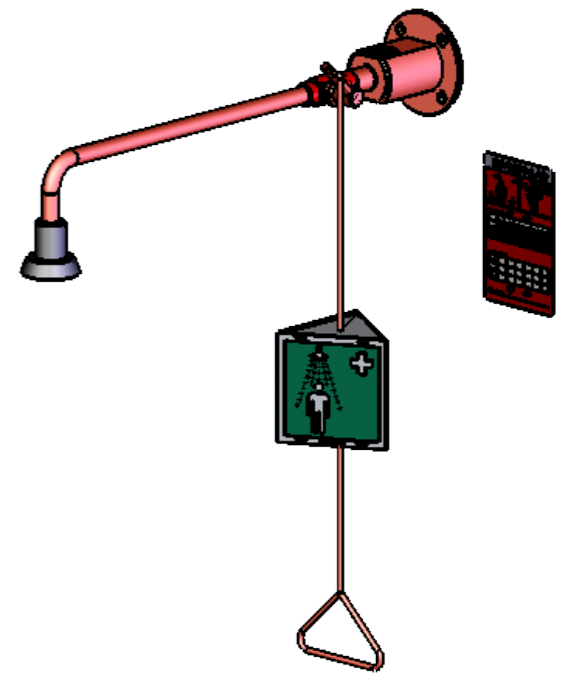
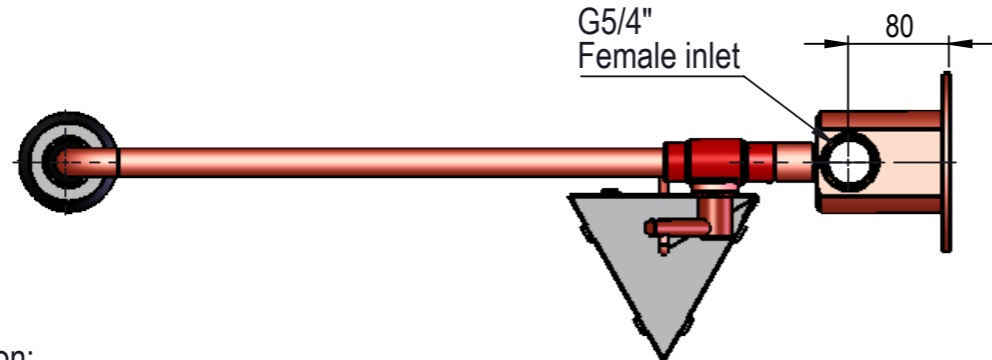
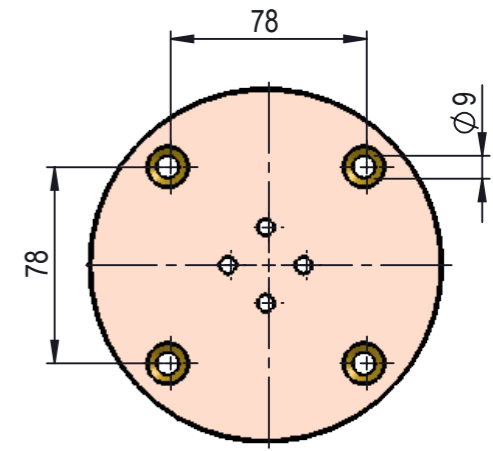
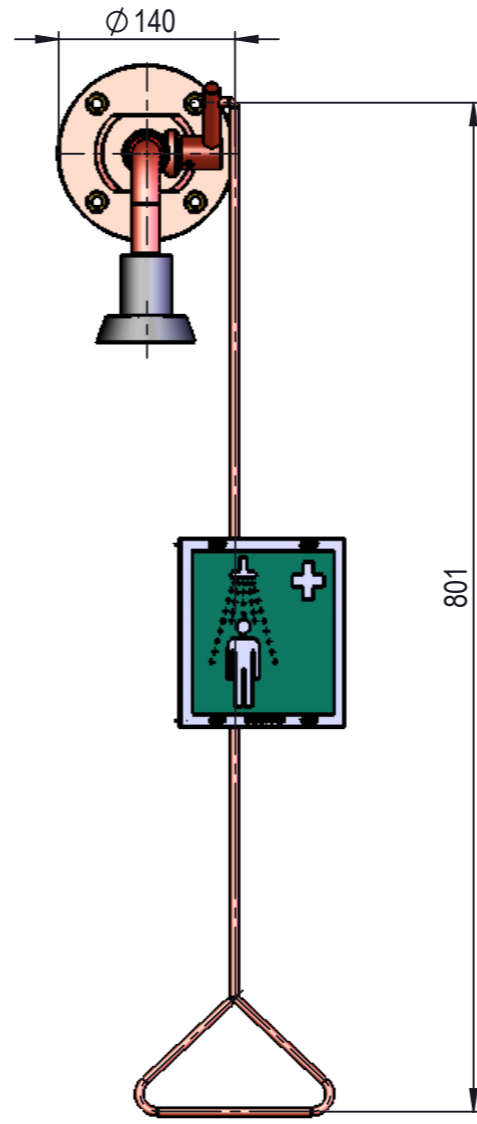
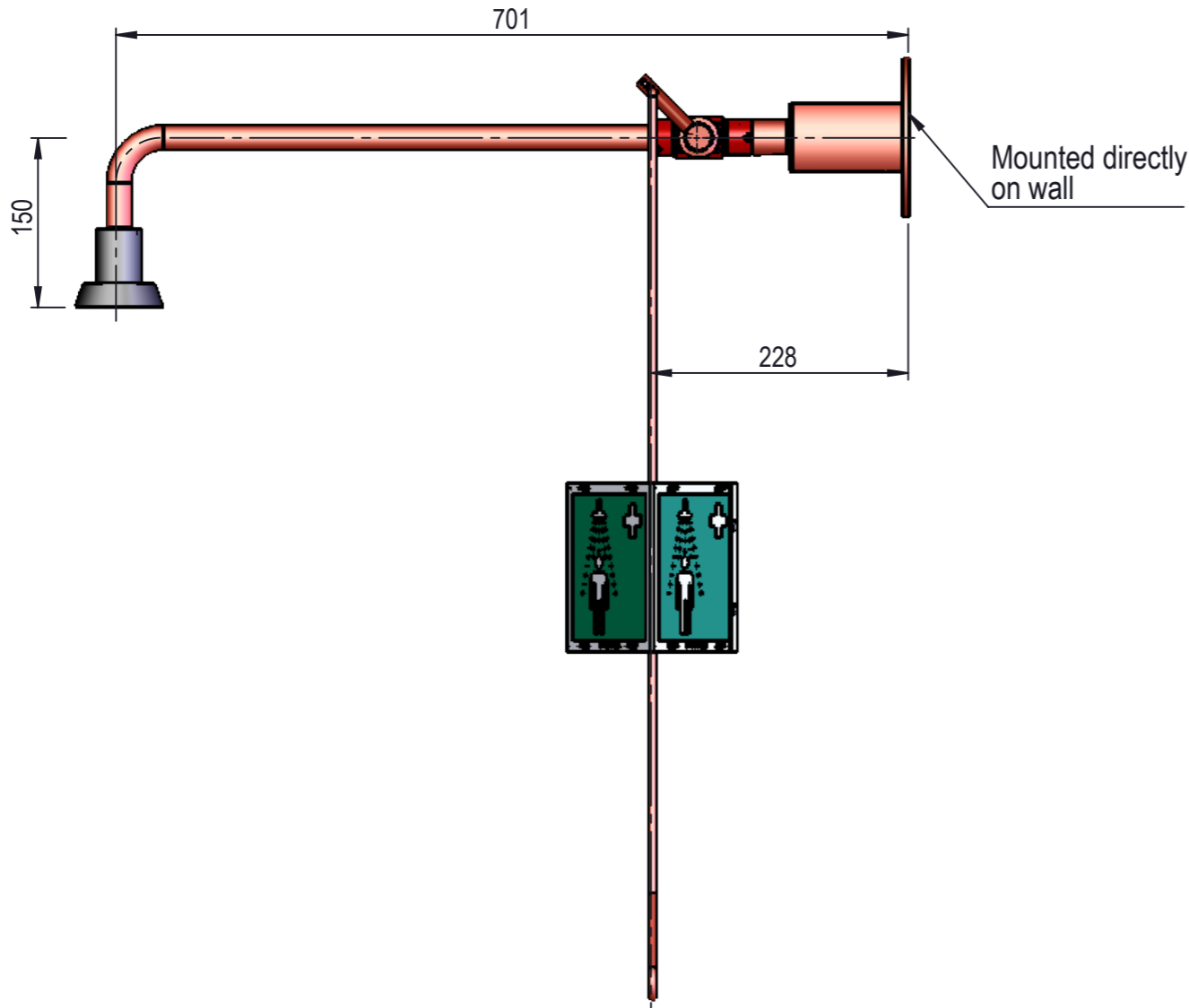
C

B

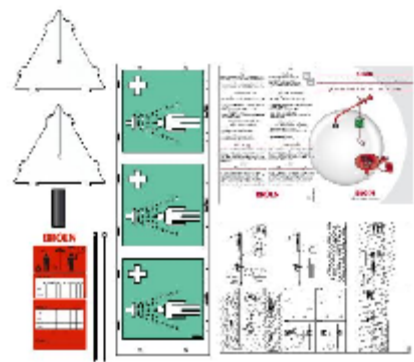
B

A

A



Sign and instruction:  
17001910



Description:		Body shower, wall mounted	
Media:		Water	
Material:			
Specification:		Recirculating	
Comments:		Legionella	
Drawing type:		Customer drawing	Weight: 5.798 Kg
All dimensions maked with  are inspection dimensions			
Unspecified liniar tolerances:		Unspecified angular tolerances:	
Rev. B	Pos.	Date 03-01-19	TM No. 7325
		Design by HEM	Drawn by HEM
Change:		701 was 779	
Designed by:		Drawn by:	Released on TM No.:
TLA		TLA	7096
Date:		13-02-18	
Format: A3		Drawing No.: 17549009C	

**BROEN-LAB**  
This drawing is our property and cannot be given to a third party, copied or otherwise used without our permission. BROEN-LAB A/S



8 7 6 5 4 3 2 1