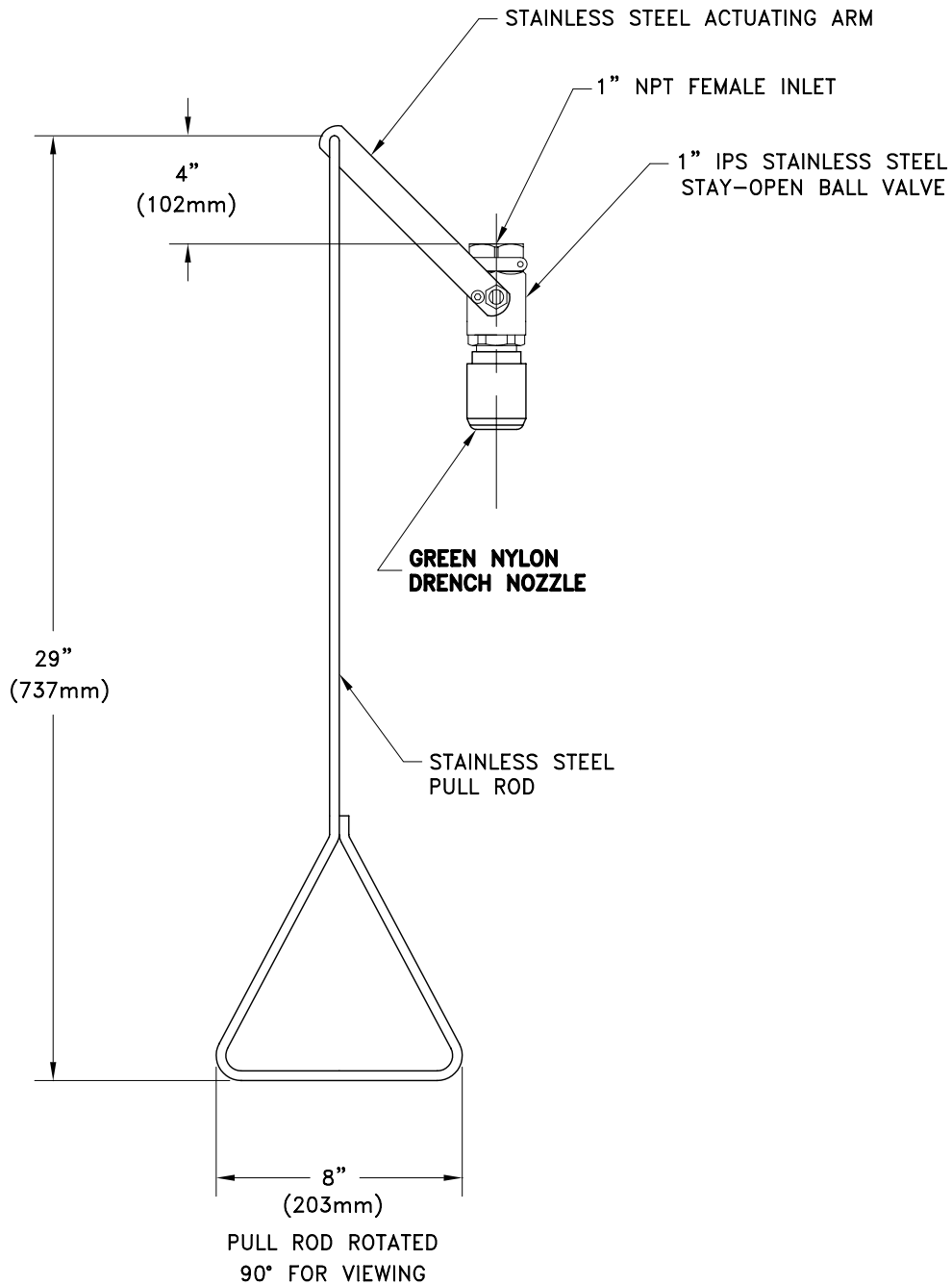


DENIOS.

Dehmer Straße 58-64
32549 Bad Oeynhausen
(0 57 31) 7 53-0 Tel
(0 57 31) 7 53-1 99 Fax
denios.de

DEN117455

VERTICALLY MOUNTED CORROSION-RESISTANT EMERGENCY SHOWER WITH ALL-STAINLESS STEEL CONSTRUCTION



UNITS COMPLY WITH THE REQUIREMENTS OF EN 15154

TEST ALL EMERGENCY EQUIPMENT AT LEAST WEEKLY.

Drawing Number: DEN022-920

Approved: _____

Revision Number: 071007-EJM